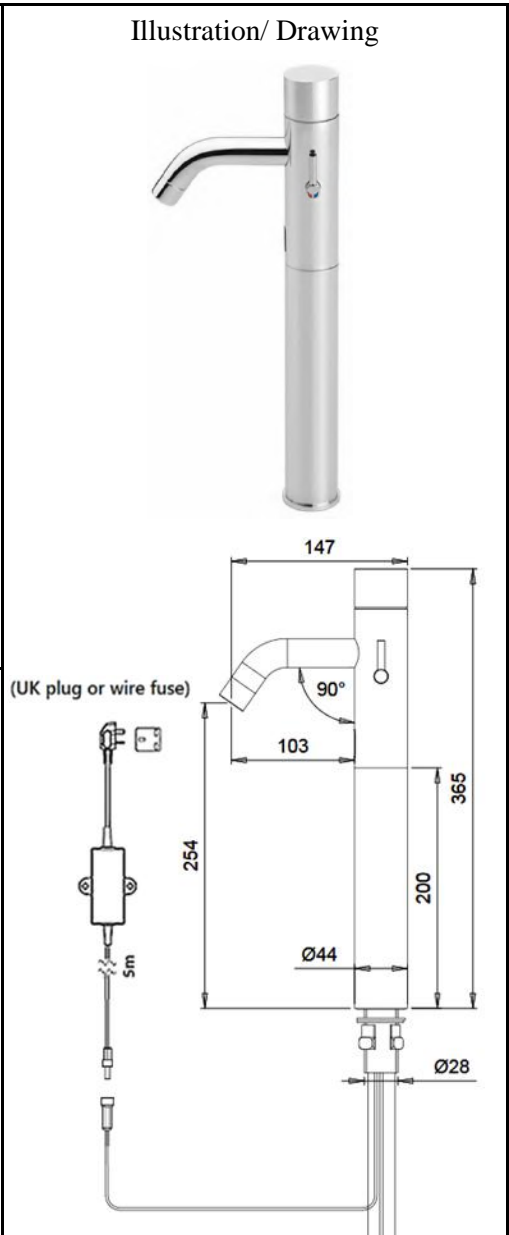




PROJECT		REF		REV	ITEM CODE	
LOCATION		DATE			PAGE	

SANITARY WARE SPECIFICATION SHEET

Item Descriptions	Stern (Israel) "Extreme 1000 Plus" Chrome plated deck mounted extended body sensor mixer with adjustable temperature limiter in AC Supply with 5m wire AC 110-240 Vac 50/60Hz to 9V 0.3A IP68 waterproof switching transformers
Dimensions	L103 x W44 x H365 mm
Model	Extreme 1000 Plus E
Code Number	237050
Finish	Chrome Plated
Supplier	Acme Sanitary Ware Co. Ltd Mr. Eric Wong/ Mr. Don Yuen
Contact Tel/Fax	(852) 2388-7171 / (852) 2710-8012
E-mail	acme@acmesanitary.com.hk
Website	www.acmesanitary.com.hk



EXTREME 1000 PLUS E Ref # 237050
 Touch-free electronic faucet for deck-mounted installations. Activated by infrared sensor. Tall version for counter top washbasins. For hot and cold water, includes a mixer for water temperature adjustment. Filters included. Chrome plated body, other finishes available. Includes a low battery indicator. Latching solenoid valve is located above deck inside the product for added vandal protection. Regular faucet installation with simple transformer connection. Adjustable settings by remote control: sensor range, security time, delay in, delay out, on-off and reset to factory settings. 24 hour mandatory hygiene flush available upon request.

Application:
 Deck-mounted faucet. Combining an elegant minimalist design with anti-vandal features. Easy installation. Long lasting even in the harshest installation sites. Helps washrooms stay clean and saves water. Prevents cross contamination. Ideal for stadiums, train and bus stations and highway rest stops.

Use:
 Touch-free electronic faucet. The faucet is automatically activated when users place their hands in the sensor range and stops when the users remove their hands.

- Installation:**
Lavatory mounted
- Water supply:**
Hot & Cold (2 inlets)
- Water temperature:**
Max 70 °C
- Operating pressure:**
0.5 - 8.0 bar
- Power source:**
9V transformer
- Stern Soap & Water:**
Extreme matching soap dispenser

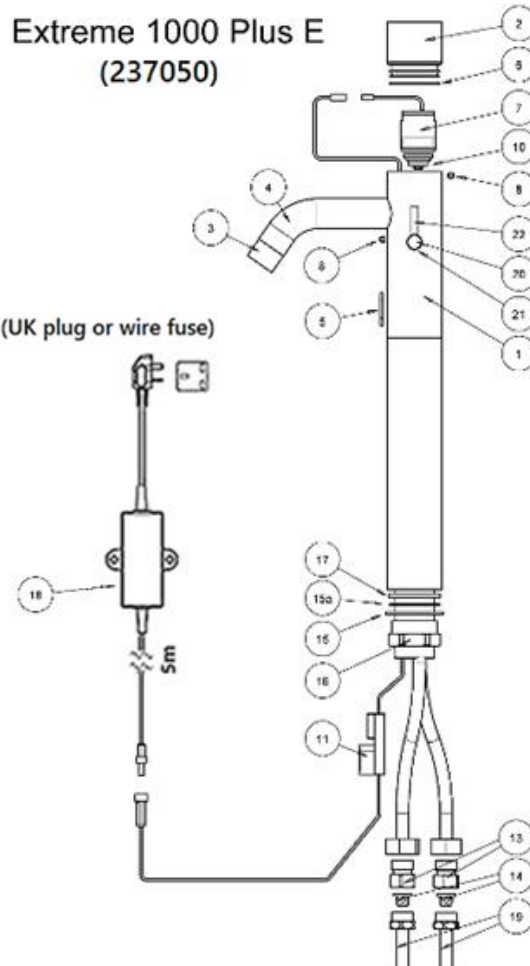
PRODUCT AT A GLANCE	
Installation	Lavatory mounted
Power Supply	• 9V external battery box • 9V transformer
Operating pressure	0.5-8.0 bar / 7.0-116.0 PSI
Water supply	Hot and cold water
Water flow	6 LPM / 1.58 GPM - SSR PCA stream
Water Saving Options	4 LPM / 1 GPM ; 3 LPM / 0.8 GPM 1.89 LPM / 0.5 GPM ; 1.3 LPM 0.35 GPM - PCA spray
Water temperature	70°C Maximum
Security Time	90 seconds. Adjustable by remote control

ORDERING INFORMATION		
MODEL	CODE	POWER
EXTREME 1000 PLUS B	237150	9V battery
EXTREME 1000 PLUS E	237050	9V transformer

* All information of the above is for the reference only. No prior notice is made if any changes.



SPARE PARTS LIST



Quantity	Part Number	Description	Cat. No.
	-	Seals and Screws Kit	07210023
1	6	O-ring	
1	17	O-ring	
1	5	O-ring	
1	15a	Gasket	
2	8	Screw	
	-	Sensor Kit	07220197
1	11	Infra Red Sensor	
1	5	O-ring	
	-	Filter and Back Check Adapter Kit	08520003
1	13	Back check and Filter adapter	
1	14	Filter	
1	19	Nipple	
	-	Cover Kit	07270004
1	2	Cover	
1	6	O-ring	
	-	Solenoid Valve Kit	07230003
1	7	Solenoid valve	
1	10	Diaphragm	
	10	Diaphragm	04500001
	-	Mixer Handle kit	07260003
1	22	Handle	
1	20	Axis	
1	21	O-ring	
	18	Transformer	TBC

Note: In order to locate the relevant spare part, please check the corresponding parts and part number in the drawing. Minimum order quantity will be required.

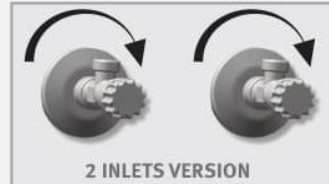
* All information of the above is for the reference only. No prior notice is made if any changes.



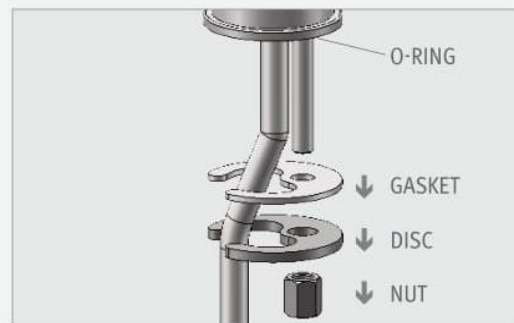
INSTALLATION

STEP 1 – PREPARATION FOR MOUNTING THE FAUCET

1 Shut off the water supply.

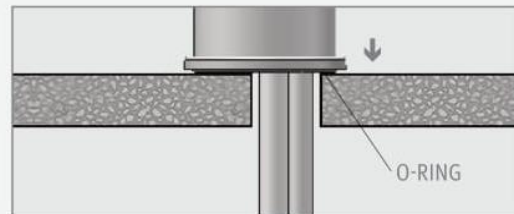


2 Remove the hexagonal nut, the disk and the gasket. Do not remove the O-ring from the base of the faucet.

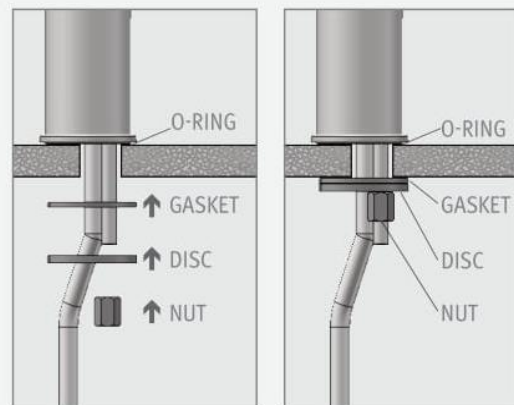


STEP 2 – INSTALLING THE FAUCET

1 Place the faucet with O-ring into the hole in deck or lavatory. Make sure the O-ring is located between the deck or lavatory and the bottom of the faucet.



2 Slide the gasket, disk and hexagonal nut over the flexible hose and secure the faucet into place.





INSTALLATION

STEP 3 – CONNECTING THE WATER SUPPLY

1

Connect the red flexible pipe to the hot water supply and the blue flexible pipe to the cold water supply.



MAKE SURE THAT THE FILTERS ARE INSTALLED BETWEEN THE FLEXIBLE PIPE AND THE SHUT OFF VALVE/ANGLE VALVE (NOT SUPPLIED).

2

Turn on the central water supply and the shut-off valves (angle valves). Check for leaks.

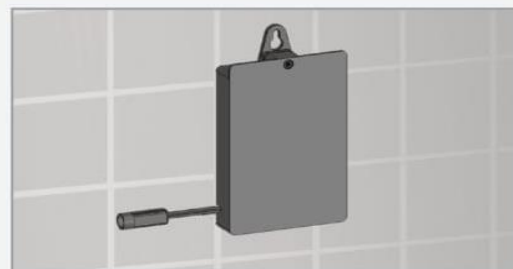


STEP 4 – CONNECTING THE POWER SOURCE

BATTERY VERSION

Install the batteries in the battery box and attach the box to the wall underneath the sink.

The cable connection must point down. (You can use an optional extension cable in order to assemble the battery box up to 3 meters away from the sink.)



TRANSFORMER VERSION

Plug the transformer into the electricity socket and connect the connectors.





TROUBLESHOOTING

PROBLEM	INDICATOR	CAUSE	SOLUTION
No water coming out of the faucet:	1. Sensor flashes continuously when user's hands are within the sensor's range.	Low battery.	Replace battery
	2. LED in the sensor does not flash once when user's hands are within the sensor's range.	1. Range is too short.	Increase the range
		2. Range is too long.	Decrease the range
3. LED in the sensor flashes once when user's hands are within the sensor's range.	3. Battery is completely used up	3. Battery is completely used up	The battery must be replaced.
		4. Unit is in "Security Mode"*	
	5. Sensor is picking up reflections from the washbasin or another object.	Eliminate cause of reflection.	
Water flow from spout does not stop:	1. Sensor flashes once when user's hands are within the sensor's range.	1. Connectors between the electronic unit and solenoid are disconnected.	Connect the electronic unit connectors to the solenoid. Solenoid is located inside the body.
		2. The water supply pressure is higher than 8 bar.	Reduce the supply water pressure.
	3. The water supply pressure is under 8 bars and yet the pressure in the faucet's body is higher. This situation could be caused by a sudden increase in the water supply pressure that the back check prevents from dropping, even after water supply pressure drops under 8 bars.	Shut off water supply and unscrew one of the flexible pipes in order to reduce the pressure that blocks the product.	
Water flow diminished	2. LED in the sensor does not flash once when user's hands are within the sensor's range.	1. Sensor is dirty or covered.**	Clean or eliminate case of interference.
		2. Sensor is picking up reflections from the washbasin or another object.	Decrease the range or eliminate cause of reflection.
Water flow diminished		Filter or aerator is clogged or the solenoid is dirty.	Remove, clean, re-install

* "Security Mode": If the sensor is covered for more than 90 sec. the faucet will automatically shut off water flow. In order to return to normal operation, remove any blockage.

** In this case, the water flow will stop anyway after 90 seconds because of the security time.